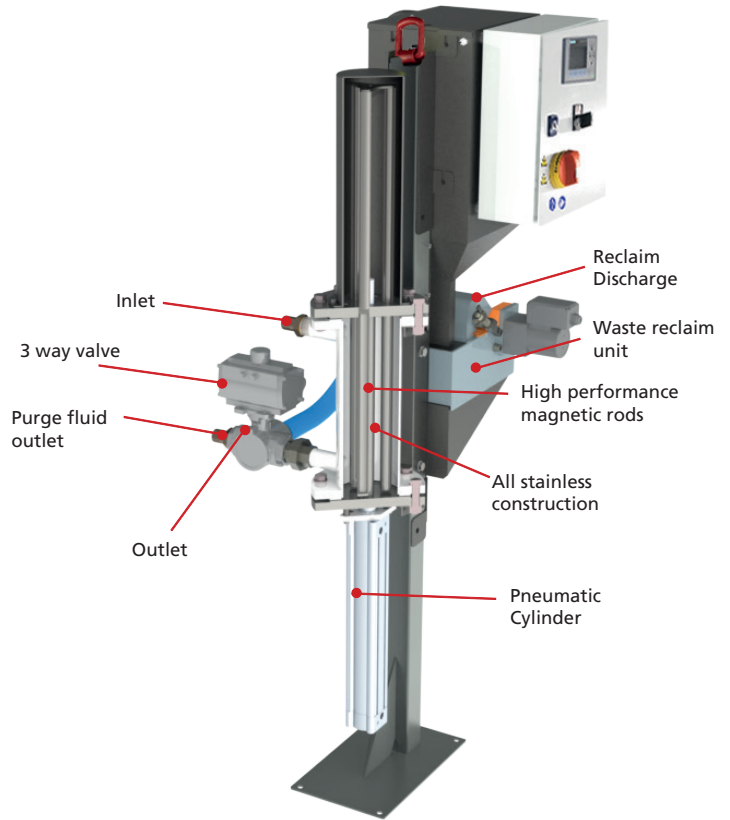


Autofiltrex



*Waste reclaim unit

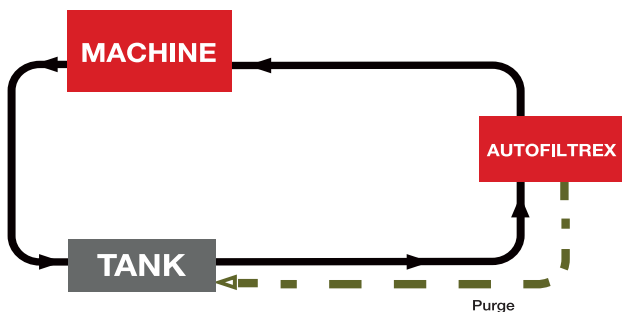


The latest generation in cost-effective fluid filtration.
Fully automated operating & cleaning. Provides huge cost savings in fluids & filter consumables.

Typical applications

Autofiltrex is ideal for most ferrous machining applications such as:

- Honing
- Lapping
- Grinding
- Forming
- Quenching processes



Benefits

- Cleaner fluid delivery to the machine
- Reduced expenditure on filter media
- Fully automated cleaning
- Reduced waste disposal
- Increased fluid lifespan
- Improved surface finish and accuracy
- 24/7 uninterrupted filtration
- Minimal space required



Contact Us
T 1-800-260-2124 F 1-800-260-1410
sales@eclipsetoolsinc.com | www.eclipsemagnetics.com/na

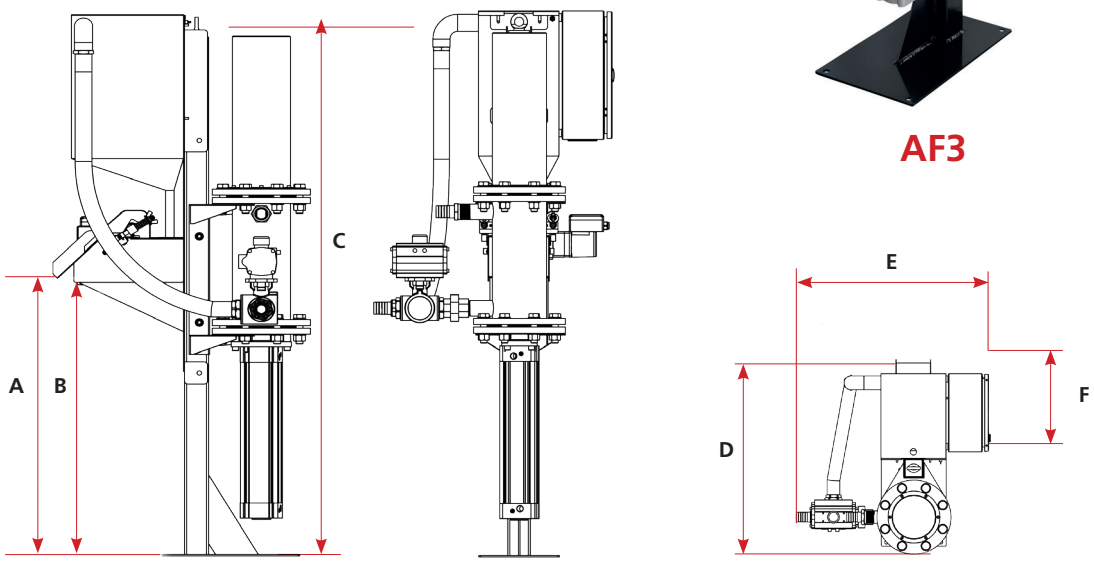
How Autofiltrex Works

Autofiltrex works in-line, taking dirty fluid from the holding tank and delivering clean polished fluid to the tool/workpiece contact point. As fluid flows through the Autofiltrex cylinder, high intensity magnetic circuits extract ferrous contamination particles.

When the magnets reach saturation point, a timed automated purging process lifts the magnetic cores from the housing thereby releasing contamination. This is simultaneously diverted via a 3-way valve to the reclaim unit. The unit can be set to purge at timed intervals or be manually executed.



Technical Data



Product number	Flow rate gpm	Number of magnetic rods	Magnetic Strength gauss	Connections inches	Contamination Capacity lbs	Weight lbs	Dimensions inches					
							A	B	C	D	E	F
AF3/RC/110	40	3	9,000	1.25	6.6	269	34.3	2.0	66.9	28.2	27.5	11.8
AF5/RC/110	53	5	9,000	1.50	11.0	320	34.3	2.0	66.9	29.4	29.4	11.8

Product number	Inlet Hosetail ID inches	Outlet Hosetail ID inches	Purge Hosetail ID inches	Materials (wet parts) ss	Air Connection mm	Min Air Pressure psi	Max Air Pressure psi	Max Fluid Pressure psi	Unboxed Weight lbs
AF3/RC/110	1.25	1.25	2.0	304	8	87	145	145	269
AF5/RC/110	1.50	1.50	2.0	304	8	87	145	145	320