



## Benefits and features

- Turn ER holders and driven Tools into hydraulic
- Easy handling and precision
- Excellent repeatability
- Adjustability of run-out



# ETP ECOGRIP™ ER

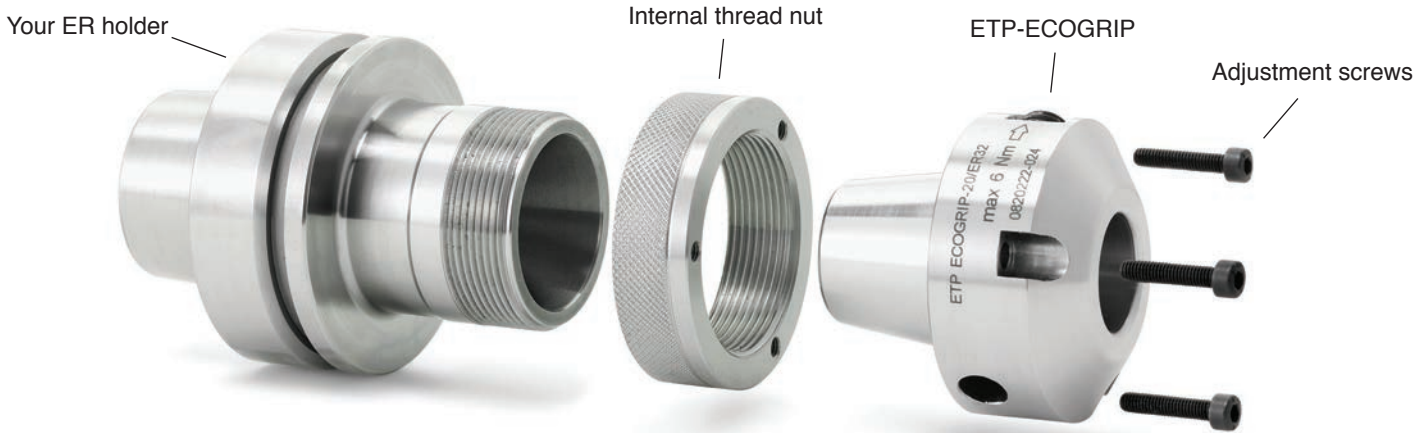
ER

## Make your ER holders and driven tools hydraulic and enjoy multiple benefits

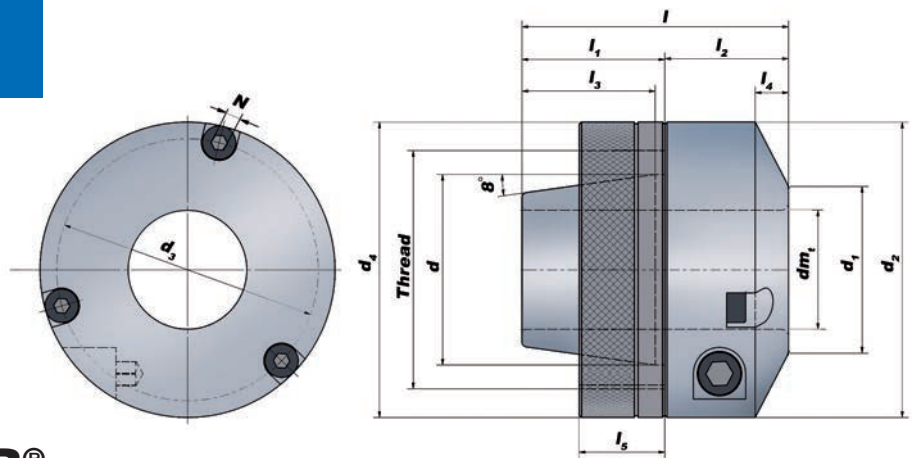
With ETP ECOGRIP ER you can easily turn your standard ER collet holders and driven tools into high precision hydraulic holders. Thus you can easily enjoy all the

positive benefits of hydraulic clamping such as easy handling and precision, at an impressive competitive price level. This enables more users to benefit from decrease

tool wear and increased productivity, when compared to using ER collet holders. With the use of the three axial screws an adjustability of the run-out is achieved.



**FOR OUTER THREADED  
TOOLHOLDERS  
AND DRIVEN TOOLS**



## ETP ECOGRIP ER®

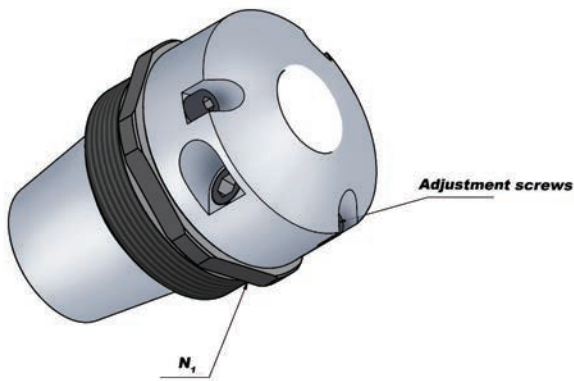
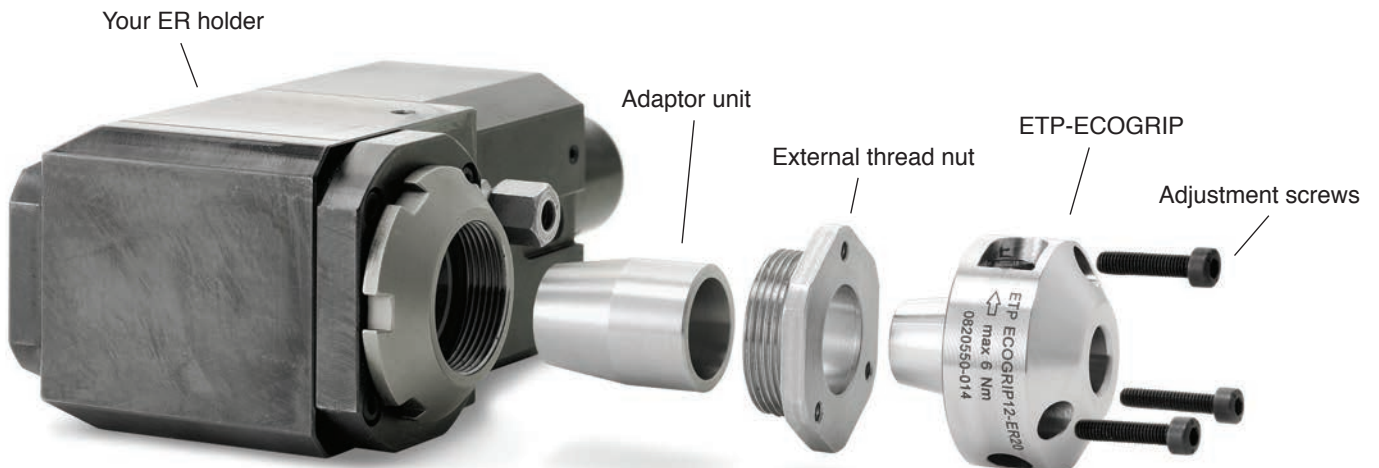
### Technical Specification

ER size	Part no.	Item description	Dimensions, mm											Adjustment screws			Internal thread nut		
			dm <sub>t</sub>	d	d <sub>1</sub>	d <sub>2</sub>	l	l <sub>1</sub>	l <sub>2</sub>	l <sub>3</sub>	l <sub>4</sub>	l <sub>5</sub>	d <sub>3</sub>	No.	Dim.	N	d <sub>4</sub>	l <sub>5</sub>	Thread
● 16	686845	ETP ECOGRIP-6/ER16	6	16	16	34	30	16	14	14	5	28	2	M3x16*	2,5	34	10	M22x1,5	
●	686846	ETP ECOGRIP-6/ERM16	6	16	16	34	30	16	14	14	5	28	2	M3x16*	2,5	34	10	M19x1	
●	686945	ETP ECOGRIP-1/4"/ER16	6,35	16	16	34	30	16	14	14	5	28	2	M3x16*	2,5	34	10	M22x1,5	
● 20	686855	ETP ECOGRIP-12/ER20	12	20	22	43,5	40	16	24	14	7	34	3	M4x20	3	43,5	12	M25x1,5	
●	686856	ETP ECOGRIP-12/ERM20	12	20	22	43,5	40	16	24	14	7	34	3	M4x20	3	43,5	12	M24x1	
●	686955	ETP ECOGRIP-1/2"/ER20	12,7	20	22	43,5	40	16	24	14	7	34	3	M4x20	3	43,5	12	M25x1,5	
●	686956	ETP ECOGRIP-1/2"/ERM20	12,7	20	22	43,5	40	16	24	14	7	34	3	M4x20	3	43,5	12	M24x1	
● 25	686905	ETP ECOGRIP-12/ER25	12	25	26	48	46	20	26	18	7	41	3	M4x20	3	48	13	M32x1,5	
●	686906	ETP ECOGRIP-12/ERM25	12	25	26	48	46	20	26	18	7	41	3	M4x20	3	48	13	M30x1	
●	686875	ETP ECOGRIP-16/ER25	16	25	26	48	46	20	26	18	7	41	3	M4x20	3	48	13	M32x1,5	
●	686876	ETP ECOGRIP-16/ERM25	16	25	26	48	46	20	26	18	7	41	3	M4x20	3	48	13	M30x1	
●	687005	ETP ECOGRIP-1/2"/ER25	12,7	25	26	48	46	20	26	18	7	41	3	M4x20	3	48	13	M32x1,5	
●	686975	ETP ECOGRIP-5/8"/ER25	15,875	25	26	48	46	20	26	18	7	41	3	M4x20	3	48	13	M32x1,5	
● 32	686865	ETP ECOGRIP-20/ER32	20	32	30	52	52	26,5	25,5	24,5	7	45	3	M4x20	3	52	15	M40x1,5	
●	686965	ETP ECOGRIP-3/4"/ER32	19,05	32	30	52	52	26,5	25,5	24,5	7	45	3	M4x20	3	52	15	M40x1,5	
● 40	686885	ETP ECOGRIP-25/ER40	25	40	35	59	56	34	22	28	7	46	3	M4x16	3	59	20	M50x1,5	
●	686985	ETP ECOGRIP-1"/ER40	25,4	40	35	59	56	34	22	28	7	46	3	M4x16	3	59	20	M50x1,5	
● 50	686895	ETP ECOGRIP-32/ER50**	32	50	42	69,5	60	38	22	32	7	56	3	M4x15	3	78	20	M64x2	
○	686995	ETP ECOGRIP-1 1/4"/ER50**	31,75	50	42	69,5	60	38	22	32	7	56	3	M4x15	3	78	20	M64x2	

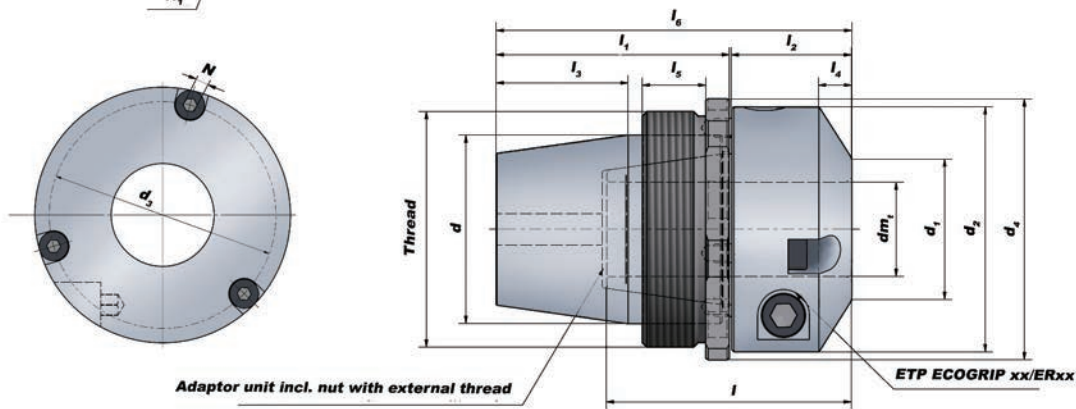
\*) This size ECOGRIP ER has 2x M3x16 adjustment screws located 180 degrees apart. It also has an additional 2x M5x8 adjustment screws, located 180 degrees apart, at the back of the thread nut.  
\*\*) The thread nut width l<sub>5</sub> of this size ECOGRIP ER is 20 mm. The thread depth is however only 15 mm.

l = clamping length

- From stock
- On request



**FOR INNER THREADED DRIVEN TOOLS**



## ETP ECOGRIP ER® incl. adaptor unit

### Technical Specification

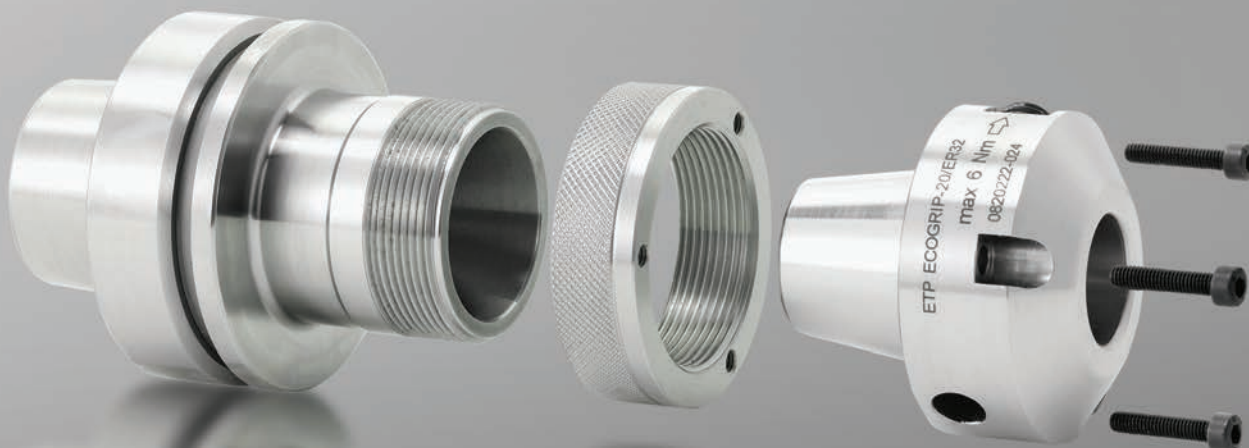
ER size	Part no.	Item description	Dimensions, mm										Adjustment screws			External thread nut					
			$dm_t$	$d$	$d_1$	$d_2$	$l$	$l_1$	$l_2$	$l_3$	$l_4$	$l_6$	$d_3$	No.	Dim.	$N$	$d_4$	$l_5$	Thread	$N_1$	$T_t$ Nm
● 25	687310	ETP ECOGRIP-12/ER20-25	12	25	22	43,5	40	36	24	18	7	60,5	34	3	M4x16	3	43,5	10	M32x1,5	40	50
● 32	687320	ETP ECOGRIP-12/ER25-32	12	32	26	48	46	44,5	26	24,5	7	71	41	3	M4x16	3	48	12	M40x1,5	44	104
●	687330	ETP ECOGRIP-16/ER25-32	16	32	26	48	46	44,5	26	24,5	7	71	41	3	M4x16	3	48	12	M40x1,5	44	104
● 40	687340	ETP ECOGRIP-20/ER32-40	20	40	30	52	52	49,5	25,5	28	7	75,5	45	3	M4x16	3	56	13,5	M50x1,5	52	128

$T_t$ : Recommended tightening torque in Nm for the External thread nut.

$l$  = clamping length

● From stock

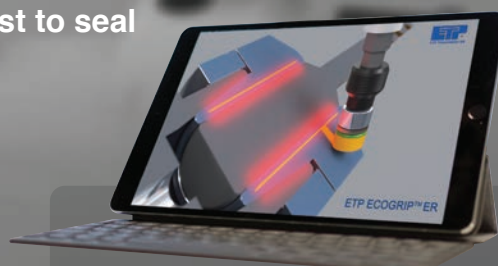
# Mounting procedure



1. Mount the ring nut on the ER holder
2. Mount the ETP ECOGRIP ER in the holder and twist to seal
3. Mount the adjustment screws

When mounted correctly, an initial runout of 0.020 mm is achieved.

Then adjust the runout further by lightly tightening on the adjustment screws until your desired runout is achieved.



Watch ETP ECOGRIP ER on YouTube

## Accessories

### Torque wrench

Use the torque wrench to ensure correct and consistent tightening by different users. This wrench should be used with all HYDRO-GRIP and ECOGRIP holders.

Torque: 6 Nm.

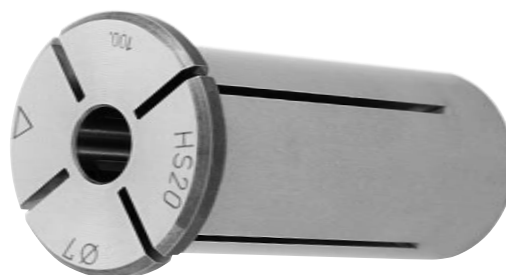


Item description	Tightening torque:	Part no
● HYDRO-GRIP Torque wrench	6 Nm	19050

### Reduction Sleeves for ETP Toolholders

All ETP ECOGRIP ER holders can be used with reduction sleeves.

For complete available assortment see our main catalogue - Metalworking.



ETP Transmission Inc.  
125, Old Gate Lane  
MILFORD, CT 06460, USA  
Phone: +1 203 877 8289  
Email: info@etpinc.com

**ETP**  
ETP Transmission AB

Box 1120, SE-581 11 Linköping, Sweden  
Tel. +46 (0)13 24 71 00  
E-mail: info@etp.se, Internet: www.etp.se